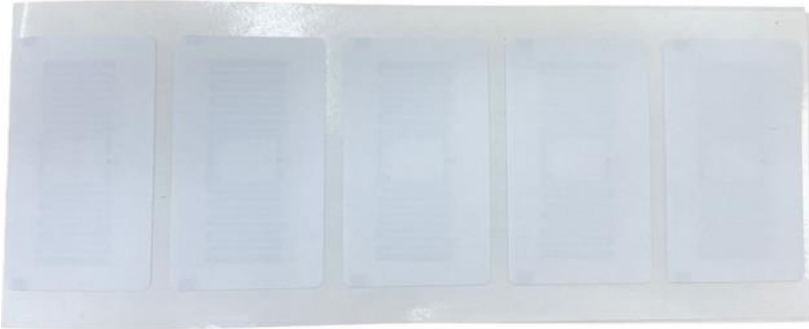
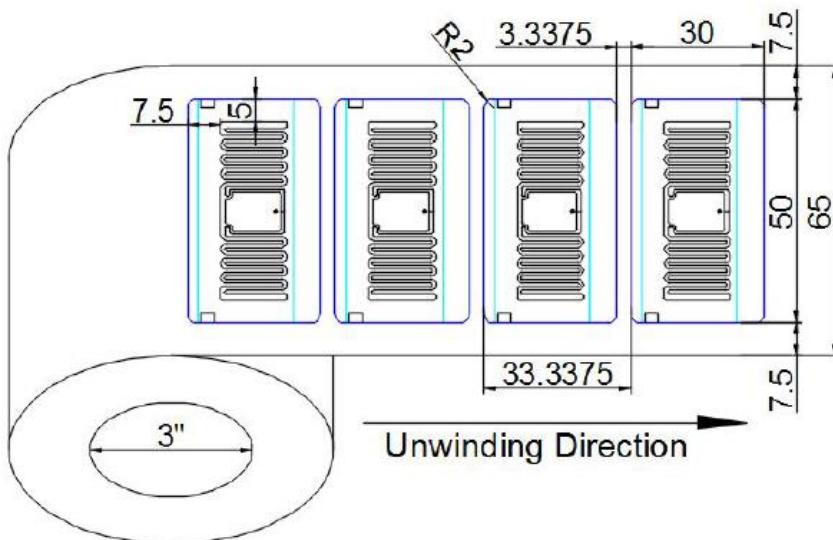


Anti liquid UHF RFID Label Model 50x30mm (U8)

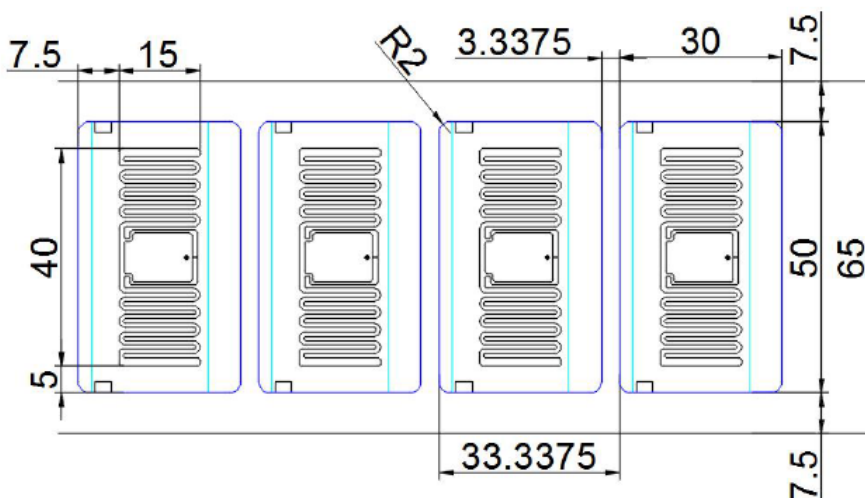


1. Mechanical Characteristics

1.1 Appearance



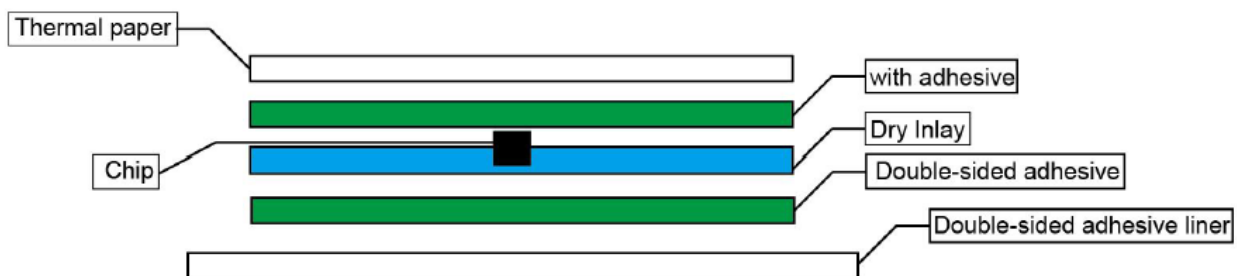
1.2 Dimensions



1.3 Dimensions Deviation

No.	Item	Parameters (mm)
1	Inlay Length	15±0.20
2	Inlay Width	40±0.20
3	Inlay right to label right	7.5±1.0
4	Inlay left to label left	7.5±1.0
5	Label Length	30±0.5
6	Label Width	50±0.5
7	Label Corner Radius	R=2±0.5
8	Label Edge to Liner Edge (Top)	7.5±1.0
9	Label Edge to Liner Edge (Bottom)	7.5±1.0
10	Label Pitch	33.3375±0.5
11	Label Gap	3.3375±0.5
12	Liner Width	65±1.0
13	Core ID	3 inch (76.20±0.50)
14	Roll OD	≤182
15	Inlay Top to Label Top	5.0±1.0
16	Inlay Edge to Label Edge (Bottom)	5.0±1.0
17	Antenna Length	15±0.2
18	Antenna Width	40±0.2

1.4 Structure



2. Electrical Characteristics

Item		Description	Remarks
Manufacture / Chip		NXP UCODE 8	
Base Material		PET(50um)	
Antenna		Etched Aluminum (10um) + PET (50um)	
Protocol		ISO/IEC 18000-6C EPC Class1 Gen2	
Memory	EPC	128 Bits	Read & Write
	TID	96 Bits	Read Only
	User	0 Bits	
	Password	Access-32 Bits, Kill-32 Bits	Read & Write
Frequency		860~960 MHz	
Operating Mode		Passive	
IC Life		100,000 Programming cycles, 20 years data	
ESD Voltage Immunity		Max 2000V	Human being mode (HBM)

3. Environmental Requirement

Temperature/Humidity for Label Attaching: [10[°]f to 40[°]f] 20% to 80%RH

Temperature/Humidity after Label Attached to the Products: [-20[°]f to +50[°]f] 20% to 80%RH (Environmental requirements of adhesive may vary on different materials).

Shelf Life: From the date of manufacture, 1 year at 23±5°C / 50%±10%RH), sealed in the vacuum bag and avoid direct sunlight exposure.

Disclaimer: Our recommendations are based on our latest knowledge and experience. We reserve all rights for final explanation.

4. Handling Precautions

4.1 Keep away from water and collision. DO NOT BEND.

4.2 Special requirement : NONE

5. Packaging

1	Shipping format	1. Roll 2. Vacuumed packing in ESD bag
2	Quantity	2500±2Pcs/roll
3	Packaging method	8 rolls/ctn (Actual Qty as per Shipping Mark)
4	Packaging pictures	
5	Special requirement	The carton was sealed without gaps